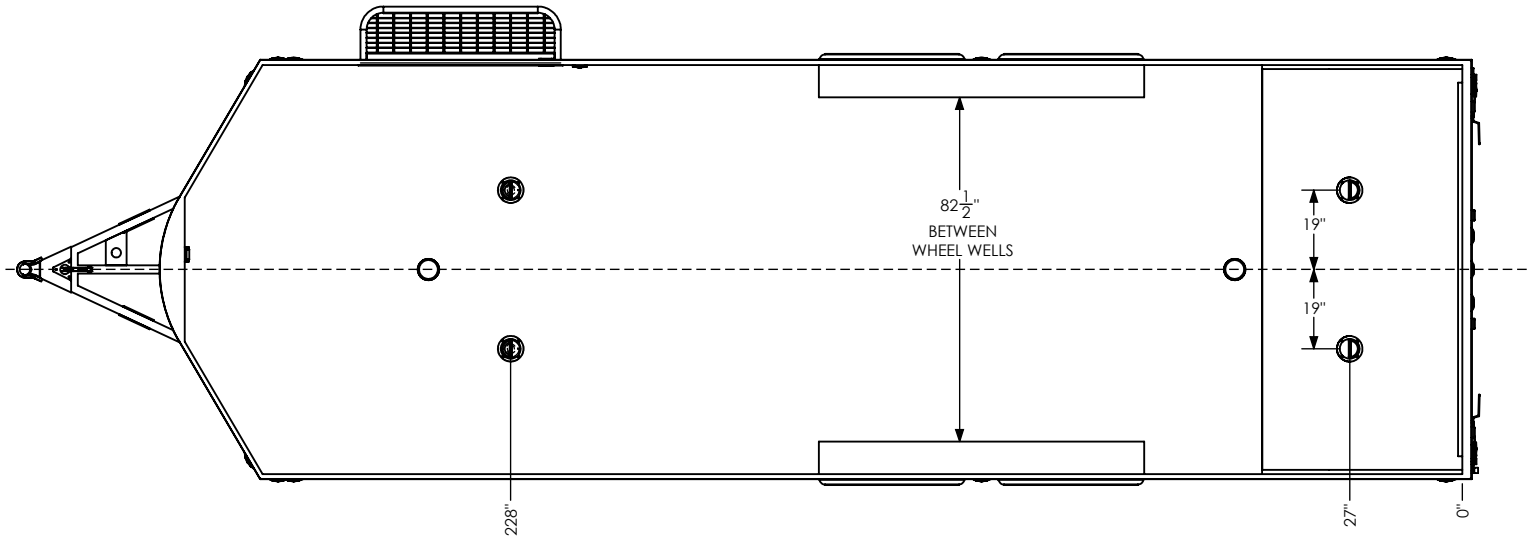
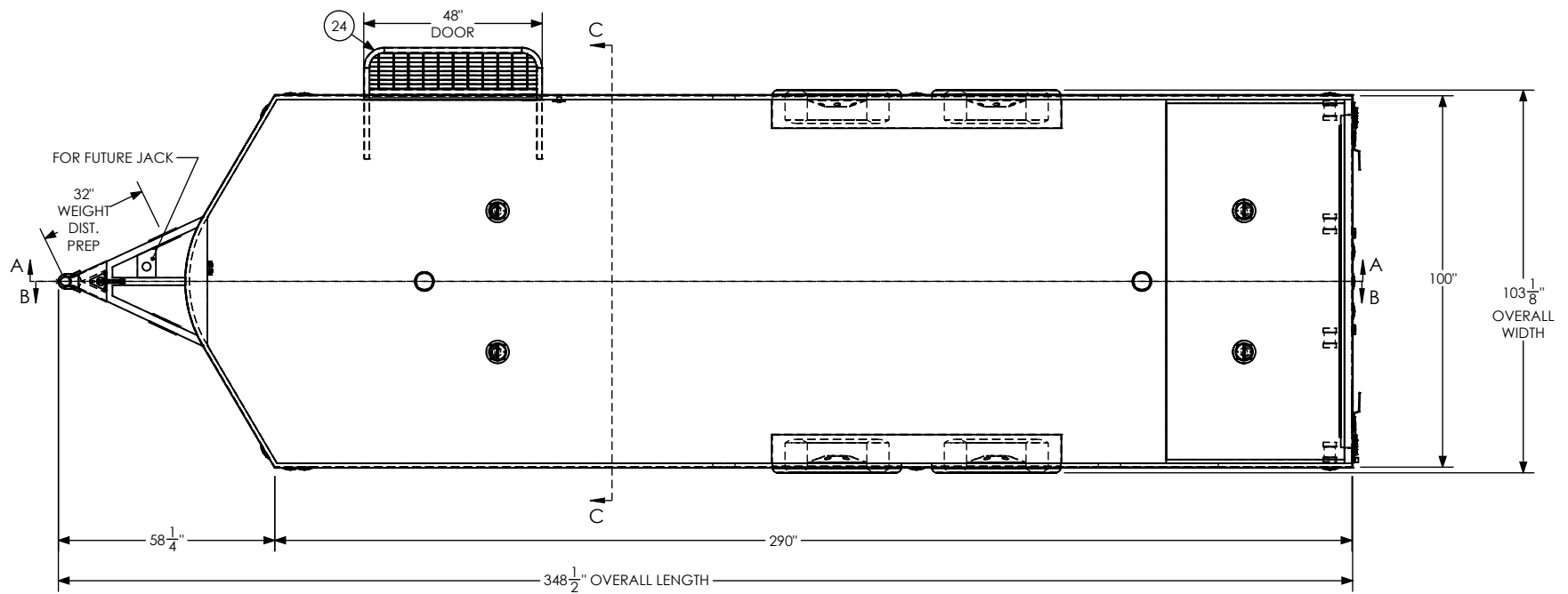


ITEM NO.	FILE NAME	DESCRIPTION	QTY.
1	Axle, Dexter	5200#, 10 UP, 94HF, 78AB	2
7	Bar Lock		2
8	Bumpers	1"	1
9	Caster Wheel		4
10	Coupler	2 5/16" Ball, 14,000#	1
11	Cover, Spring Assist		1
12	D-Ring, Swivel	6,000# Swivel D-Ring	14
13	Dome Light	4.5" LED	2
14	Door, Entrance	48" x 74"	1
15	Fuse Panel	6 Slot	1
16	Jack - Top Wind		1
17	LICENSE PLATE BRACKET		1
20	Light, License Plate		1
21	Ramp Extension	16" Transition Flap	1
24	Slide Out Step	48" Wide	1
25	Switch	1 - 12V Switch	1
26	Tail Light	Slimline	2
27	Tail Light	Slimline - Back Up	2
28	Tire	ST225/75R15	4
32	Weight Distribution Prep		1

PROPRIETARY AND CONFIDENTIAL
 THE INFORMATION CONTAINED IN THIS DRAWING IS THE SOLE PROPERTY OF INTECH TRAILERS. ANY REPRODUCTION IN PART OR AS A WHOLE WITHOUT THE WRITTEN PERMISSION OF INTECH TRAILERS IS PROHIBITED.

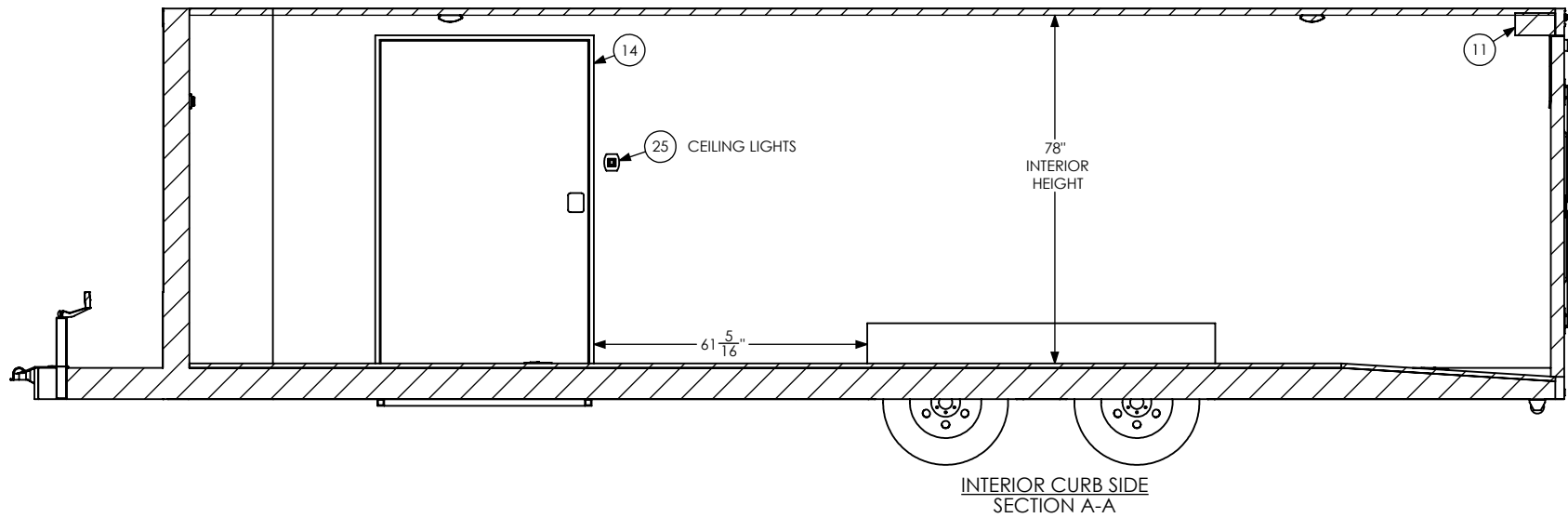
C	ADD SECOND SET OF REAR CASTER WHEELS/ CORRECTED OVERALL HEIGHT		
B	MOVED WEIGHT DIST. PREP FROM 30" TO 32"		
REV.	DESCRIPTION		
REVISION TABLE			
SCALE: 1:50	NAME	DATE	<i>inTech Trailers</i> WRIGHT WAY - 35268 WBTA8.5x24+2TA3 BOM
DRAWN	JLH*	3/31/25	
ALL DIMENSIONS ARE IN INCHES AND ARE NOMINAL. DIMENSIONS ON ACTUAL TRAILER MAY VARY FROM WHAT IS SHOWN ON PRINT BASED ON ACTUAL FRAMING AND TRAILER STRUCTURE. UNLESS NOTED AS CRITICAL.			DWG. NO. SHEET 1 OF 5 BTA8.5x24TA Trailer Assembly - 35268
			REV. C



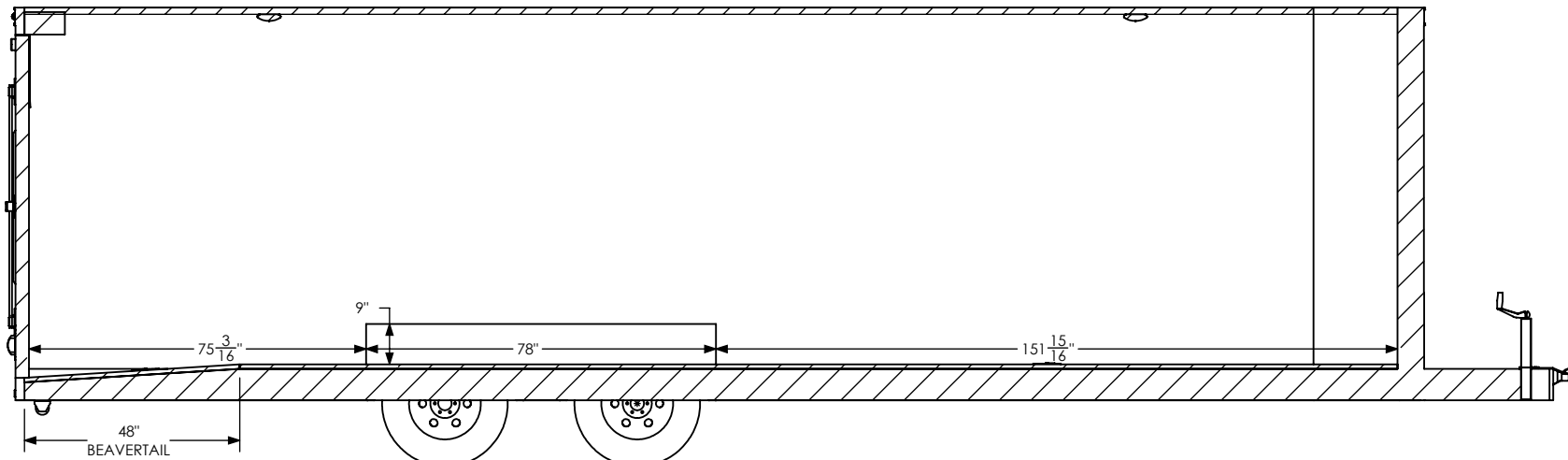
PROPRIETARY AND CONFIDENTIAL
 THE INFORMATION CONTAINED IN THIS DRAWING IS THE SOLE PROPERTY OF INTECH TRAILERS. ANY REPRODUCTION IN PART OR AS A WHOLE WITHOUT THE WRITTEN PERMISSION OF INTECH TRAILERS IS PROHIBITED.

SCALE: 1:46	NAME	DATE
DRAWN	JLH*	3/31/25
ALL DIMENSIONS ARE IN INCHES AND ARE NOMINAL. DIMENSIONS ON ACTUAL TRAILER MAY VARY FROM WHAT IS SHOWN ON PRINT BASED ON ACTUAL FRAMING AND TRAILER STRUCTURE. UNLESS NOTED AS CRITICAL		

inTech Trailers		
WRIGHT WAY - 35268		
WBTA8.5x24+2TA3		
FLOORPLAN		
DWG. NO.	SHEET 2 OF 5	REV.
BTA8.5x24TA Trailer Assembly - 35268		C



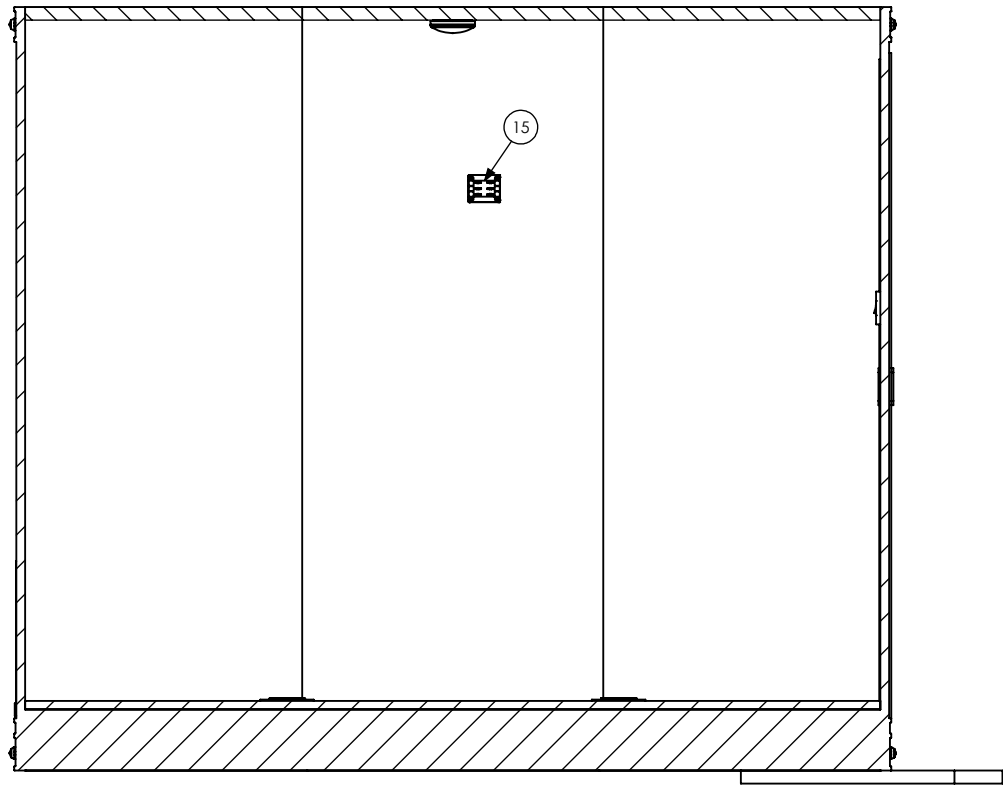
INTERIOR CURB SIDE
SECTION A-A



INTERIOR ROAD SIDE
SECTION B-B

PROPRIETARY AND CONFIDENTIAL
THE INFORMATION CONTAINED IN THIS DRAWING IS THE SOLE PROPERTY OF INTECH TRAILERS. ANY REPRODUCTION IN PART OR AS A WHOLE WITHOUT THE WRITTEN PERMISSION OF INTECH TRAILERS IS PROHIBITED.

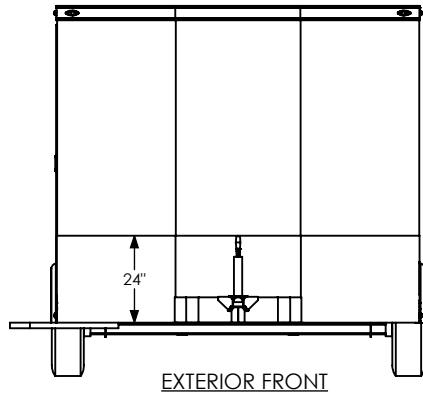
SCALE: 1:46	NAME	DATE	<i>inTech Trailers</i> WRIGHT WAY - 35268 WBTA8.5x24+2TA3 INTERIOR SIDES
DRAWN	JLH*	3/31/25	
ALL DIMENSIONS ARE IN INCHES AND ARE NOMINAL. DIMENSIONS ON ACTUAL TRAILER MAY VARY FROM WHAT IS SHOWN ON PRINT BASED ON ACTUAL FRAMING AND TRAILER STRUCTURE. UNLESS NOTED AS CRITICAL.			DWG. NO. BT A8.5x24TA Trailer Assembly - 35268
			SHEET 3 OF 5 REV. C



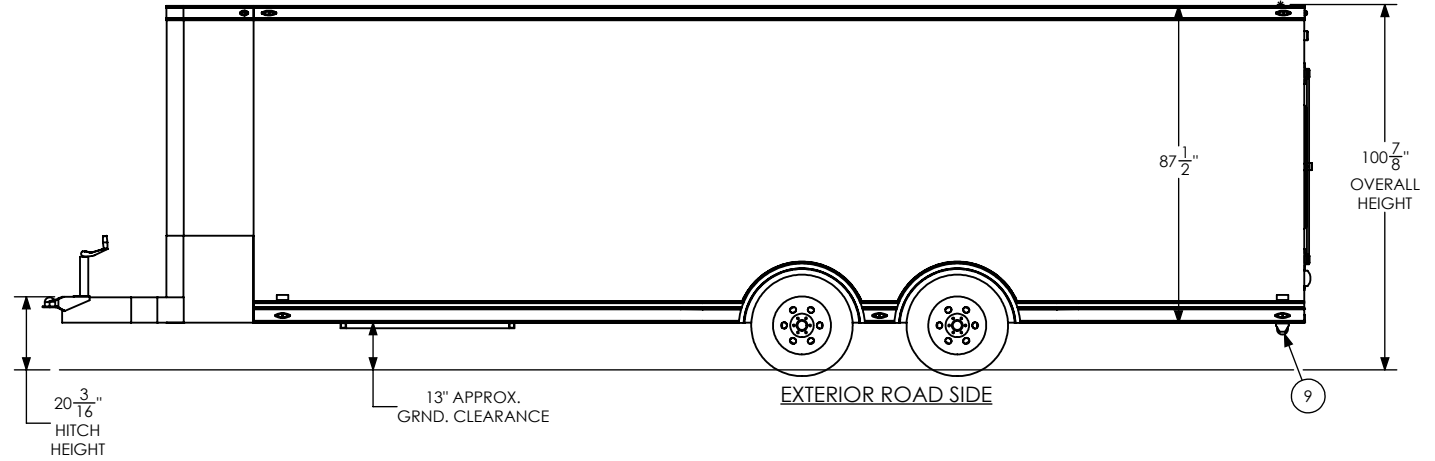
INTERIOR FRONT
SECTION C-C

PROPRIETARY AND CONFIDENTIAL
THE INFORMATION CONTAINED IN THIS DRAWING IS THE SOLE PROPERTY OF INTECH TRAILERS. ANY REPRODUCTION IN PART OR AS A WHOLE WITHOUT THE WRITTEN PERMISSION OF INTECH TRAILERS IS PROHIBITED.

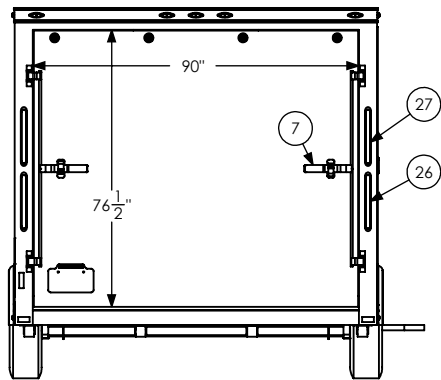
SCALE: 1:22	NAME	DATE	<i>inTech Trailers</i> WRIGHT WAY - 35268 WBTA8.5x24+2TA3 INTERIOR FRONT	
DRAWN	JLH*	3/31/25		
ALL DIMENSIONS ARE IN INCHES AND ARE NOMINAL. DIMENSIONS ON ACTUAL TRAILER MAY VARY FROM WHAT IS SHOWN ON PRINT BASED ON ACTUAL FRAMING AND TRAILER STRUCTURE. UNLESS NOTED AS CRITICAL			DWG. NO.	REV.
			BTA8.5x24TA Trailer Assembly - 35268	SHEET 4 OF 5 C



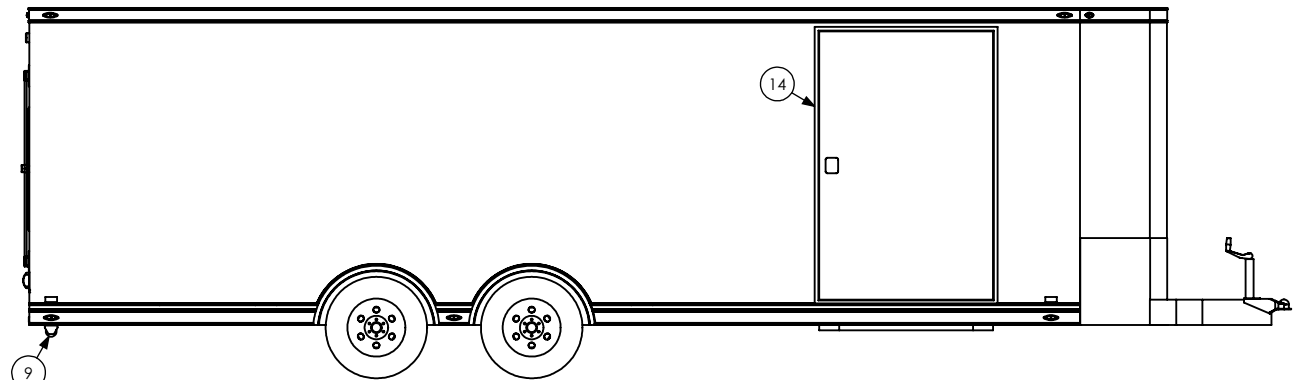
EXTERIOR FRONT



EXTERIOR ROAD SIDE



EXTERIOR REAR



EXTERIOR CURB SIDE

PROPRIETARY AND CONFIDENTIAL
 THE INFORMATION CONTAINED IN THIS DRAWING IS THE SOLE PROPERTY OF INTECH TRAILERS. ANY REPRODUCTION IN PART OR AS A WHOLE WITHOUT THE WRITTEN PERMISSION OF INTECH TRAILERS IS PROHIBITED.

SCALE: 1:53 NAME JLH* DATE 3/31/25

DRAWN JLH* 3/31/25
 ALL DIMENSIONS ARE IN INCHES AND ARE NOMINAL. DIMENSIONS ON ACTUAL TRAILER MAY VARY FROM WHAT IS SHOWN ON PRINT BASED ON ACTUAL FRAMING AND TRAILER STRUCTURE. UNLESS NOTED AS CRITICAL

<i>inTech Trailers</i>		
WRIGHT WAY - 35268		
WBTA8.5x24+2TA3		
EXTERIOR		
DWG. NO. BTA8.5x24TA Trailer Assembly - 35268	SHEET 5 OF 5	REV. C